



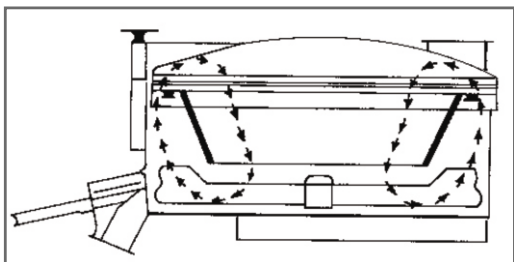
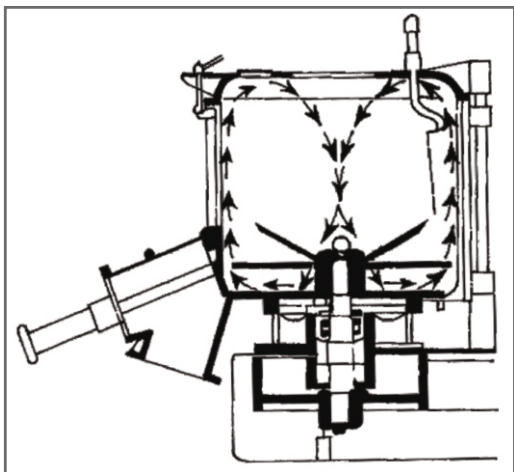
Scan me!

PVC
Compounding Mixers

World's Favourite Kabra Mixer Cooler for PVC Compounding

Kabra Extrusiontechnik Ltd (KET) - A Kolsite group company is manufacturer of High Speed Mixer Cooler. These efficient High Speed Mixer and Cooler provide mix of PVC resins and other additives for making superior quality PVC compound used in the production of PVC Pipes / Pellets / Profiles. These machines offer the processors better Mixing Economics with Great Quality. KET also manufactures high end extrusion line for pipes, pellets & profiles.





High Speed Mixer

- Mixing vessel with special double wall jacketed construction with inside chamber of SS plate.
- Labyrinth construction of vessel and blade.
- Special Alloy Steel Blades, hardened and chrome plated for longer life.
- Hot oil jacket for reduced mixing cycle and quality mixing economics.
- Resin leakage prevention (optional).
- Special designed sealing in bearing housing.
- Temperature probe for precise measurement of material temperature.

Cooler Mixer

- Water circulation arrangement provided for faster cooling of PVC compound and increased cooling surface.
- Aluminium gate plug matched with vessel profile to prevent material deposit.
- Faster batch cycle.

AC Frequency Drives (Soft Starter)

- Avoids sudden jerk creation.
- Compact and maintenance free.
- Protection for short circuit and overload.
- Can also be operated with Generator.



Technical Specifications

| Model for RPVC Pipe Compound | Batch Capacity (Kgs) | Mixer | | Cooler | | Machine Space (L x W x H in Mtrs) |
|------------------------------|----------------------|-----------------------|----------------|-----------------------|------------|-----------------------------------|
| | | Vessel Capacity (Ltr) | Drive (kW) | Vessel Capacity (Ltr) | Drive (kW) | |
| KMC 130/300 R | 40 | 130 | 18 (AC Drive) | 300 | 3.7 | 4.2 x 2.5 x 3.0 |
| KMC 200/400 R | 60 | 200 | 30 (AC Drive) | 400 | 3.7 | 4.8 x 3.0 x 3.3 |
| KMC 250/600 R | 90 | 250 | 45 (AC Drive) | 600 | 7.5 | 5.3 x 3.0 x 3.5 |
| KMC 350/1000 R | 120 | 350 | 75 (AC Drive) | 1000 | 11 | 5.6 x 3.9 x 3.7 |
| KMC 500/1500 R | 200 | 500 | 110 (AC Drive) | 1500 | 15 | 5.9 x 4.2 x 4.0 |
| KMC 750/2000 R | 300 | 750 | 132 (AC Drive) | 2000 | 18.5 | 6.4 x 4.5 x 4.3 |
| KMC 1000/2500 R | 400 | 1000 | 160 (AC Drive) | 2500 | 22 | 6.8 x 5.0 x 4.8 |
| KMC 1250/3000 R | 500 | 1250 | 250 (AC Drive) | 3000 | 30 | 7.2 x 5.5 x 5.3 |

| Model for SPVC Compound | Batch Capacity (Kgs) | Mixer | | Cooler | | Machine Space (L x W x H in Mtrs) |
|-------------------------|----------------------|-----------------------|----------------|-----------------------|------------|-----------------------------------|
| | | Vessel Capacity (Ltr) | Drive (kW) | Vessel Capacity (Ltr) | Drive (kW) | |
| KMC 250/600 S | 90 | 250 | 55 (AC Drive) | 600 | 7.5 | 7.5 x 6.5 x 4.0 |
| KMC 350/1000 S | 120 | 350 | 75 (AC Drive) | 1000 | 11 | 7.5 x 6.5 x 4.0 |
| KMC 500/1500 S | 200 | 500 | 132 (AC Drive) | 1500 | 15 | 8.0 x 6.5 x 5.0 |

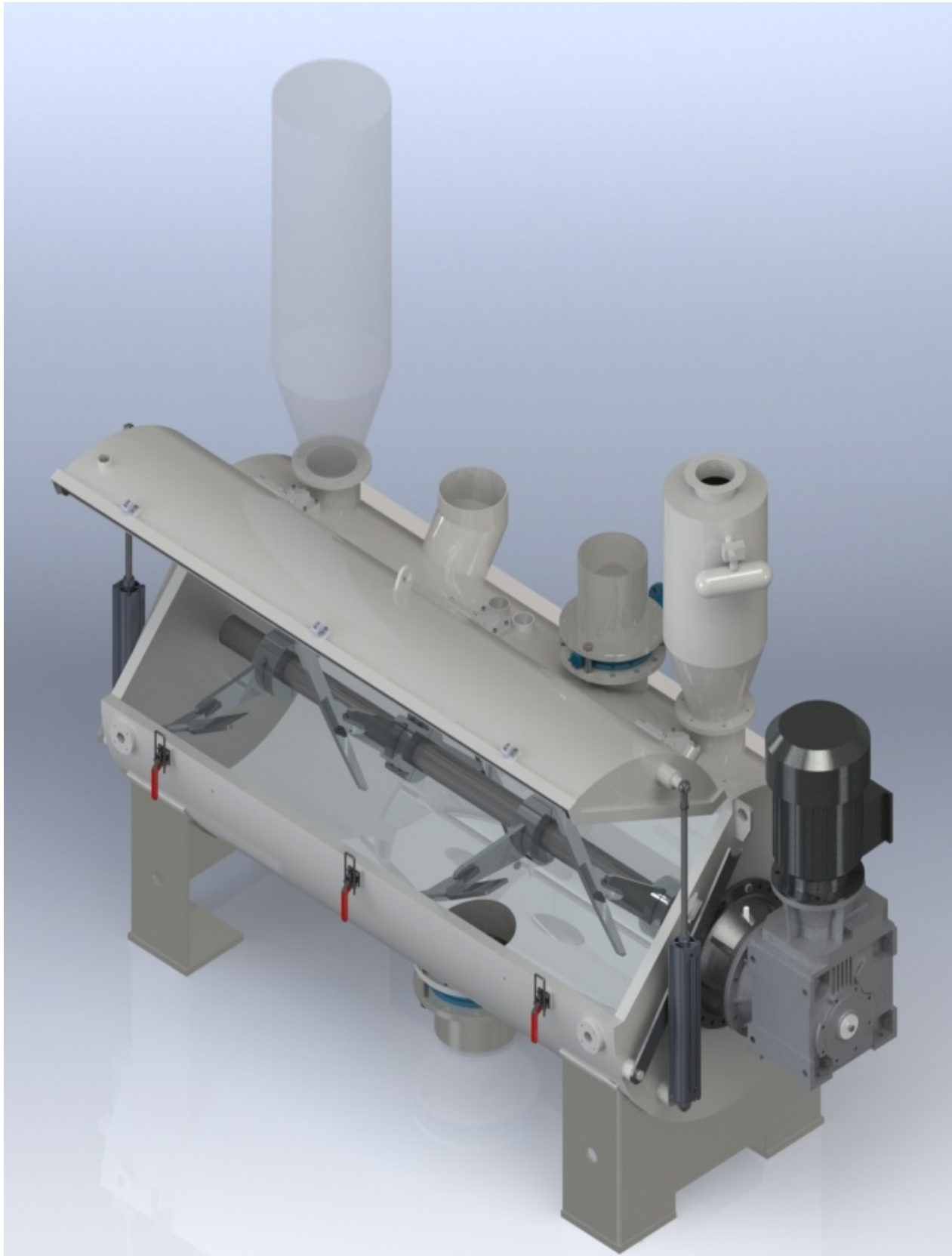
Weighing and Batch Conveying System

Consisting of ground hopper for resin, another ground hopper with agitator for CaCo3, spiral conveyors and batch hopper with pneumatically activated butterfly valve load cells provided.

- PLC controlled.
- Accurate weighing of material inputs.
- Enables mixing of resin, CaCo3 and additives in correct proportion.
- Saves material wastage and labour cost.
- Continuous mixing operation- saves time.
- Only Batch Conveying System is also supplied.



Cooler Mixer



Horizontal High Speed Mixer



| MODEL | MIXER | | COOLER | | MACHINE SPACE |
|----------------|----------|--------|----------|-------|------------------------|
| KHMC 750/2700 | 750 Ltr | 132 Kw | 2750 Ltr | 22 Kw | 9 ML x 5.5 MW x 5.0 MH |
| KHMC 1250/4500 | 1250 Ltr | 250 Kw | 4500 Ltr | 37 Kw | 9 ML x 6.5 MW x 6.5 MH |

MORE THAN 17000+ INSTALLATIONS AROUND THE WORLD 105+ COUNTRIES



A KOLSITE Group Company

Kabra Extrusiontechnik Limited

Fortune Terraces, 10th Floor, B-wing, Link Road, Opp. Citi Mall, Andheri (W), Mumbai - 400 053, INDIA.

Tel. : +91-22-6735 3333, +91 84509 69023

Email : sales@kolsitegroup.com • **Web.:** www.kolsite.com

CIN : L28900MH1982PLC028535

International Support : +91 77383 33079, Email : sales@kolsitegroup.com

AHMEDABAD - Tel.: +91 79 2656 4828, Email: ahmedabad@kolsitegroup.com

CHENNAI - Tel.: +91 44 2833 2553, Email: chennai@kolsitegroup.com

HYDERABAD - Tel.: +91 40 2780 6431, Email: hyderabad@kolsitegroup.com

BANGALORE - Tel.: +91 80 2555 0318, Email: bangalore@kolsitegroup.com

DELHI - Tel.: +91 11 2575 0988, Email: delhi@kolsitegroup.com

KOLKATA - Tel +91 33 2290 5963, Email: calcutta@kolsitegroup.com

SERVICE CENTRES CONTACT DETAILS - For Domestic Customer in India

Indore & Ahmadabad 85111 86370 • Delhi 77100 17961 • Bengaluru 88612 07113 • Chennai 95662 78644 • Hyderabad 78937 88776

Kochin 99950 14175 • Kolkata 84201 97656 • Daman 85111 52180 • Mumbai 77383 33083

Kabra Extrusiontechnik Limited reserves the right to make technical changes. Data and figures are indicative purpose only and cannot have any legal implications.

*Plants & Retrofits. All rights reserved by Kabra Extrusiontechnik Limited. Actual supply will be as per contract agreed upon.

*Number of installations as on 17 January 2026.